

ML-221XX

MAXLOGIC CONVENTIONAL FIRE ALARM PANEL

ML-221XX conventional fire alarm panels are designed for providing economic solutions for small, medium and big site applications.

ML-221XX series conventional fire alarm control panels contain both stylish exterior design and SMT (Surface Mount Technology) production techniques. 2, 4, 8, 16 zones are available max. 32 detector can be connected to each zone. Panel contains 2 sounder outputs and 8 sounder strobe or 16 electronic sounder can be connected to each of sounder outputs. Zone and sounder lines are supervised. Panel provides protection against short circuit and open circuit conditions. Also, panel has 1 dry contact fire relay and 1 dry contact fault relay for sending output in case of fire. Determined fire zone or sounder outputs can be disabled and/or tested according to user. Various functions can be added by using optional modules.



OPTIONAL MODULES

MLY-2212 Network Module

- Network module provides to make network connection up to 32 panel with using MGRP-64.
- Network module provides to make panel configuration by using software.
- Network module provides to send commands for example, 'Alarm', 'Silence Alarm', 'Silence Buzzer', 'Fault' and 'Reset'.

MLY-2213 Memory (Event Log) Module

- Memory module provides to save event logs for ML-221XX series panels.
- Memory module provides to make panel configuration by using software program.
- Memory module provides to send commands for example, 'Alarm', 'Silence Alarm', 'Silence Buzzer', 'Fault' and 'Reset'.

MLY-2214 Network & Memory (Event Log) Module

- Network module provides to make network connection up to 32 panel with using MGRP-64.

- Network & Memory (Event Log) Module Memory module provides to save up to 1000 event logs for ML-221XX series panels.
- Network & Memory (Event Log) Module Memory module provides to make panel configuration by using software.
- Network & Memory (Event Log) module provides to send commands for example, 'Alarm', 'Silence Alarm', 'Silence Buzzer', 'Fault' and 'Reset' .

MLY-2210 / MLY-2215 / MLY-2217 Relay Module

- MLY-2210 has 8 dry contact relay output, MLY-2215 has 4 dry contact relay output and MLY-2217 has 2 dry contact relay output. Fire event activates relay output in determined zone.
- Relay outputs have 30V DC 1 Amper output power.

MLY-2211 / MLY-2216 / MLY-2218 Sounder Module

- MLY-2211 has 8 sounder output, MLY-2216 has 4 sounder output and MLY-2218 has 2 sounder output. Fire event activates the sounder output in determined zone.
- Each sounder output has 24V DC 100 mA power.

PRODUCT FEATURES

- Compatible with EN 54-2 and EN 54-4
- 2, 4, 8, 16, zone options
- TSE, LPCB and GOST certificate
- Panel provides to make network connection up to 32 panel with using MGRP-64.
- 2 sounder outputs, fire alarm and fault relay
- Delay time can be assigned to zone and sounders
- Zones can be tested with single person via zone test feature
- Determined zones and/or sounder output can be disabled via Disable zone and disable sounder function.
- Communication with PC option ('reset', 'alarm', 'silence alarm' etc. Commands can be sent to panel and zone can be tested and disabled.)
- Up to 1000 event-log can be saved.
- Relay module, 2, 4 and 8 outputs (provides zonal relay output)
- Sounder module, 2, 4 and 8 outputs (provides zonal sounder output)
- Event log memory can be taken with PC program via RS-485 port
- Fire and fault events can be monitored via zone fire LEDs, zone fault LEDs and piezoelectric buzzer
- User friendly with few button on front of panel
- All LEDs can be tested via one button
- Easy entrance for cable from up and back of panel
- Surface mounting technology
- Aesthetic design
- Stable sensitivity

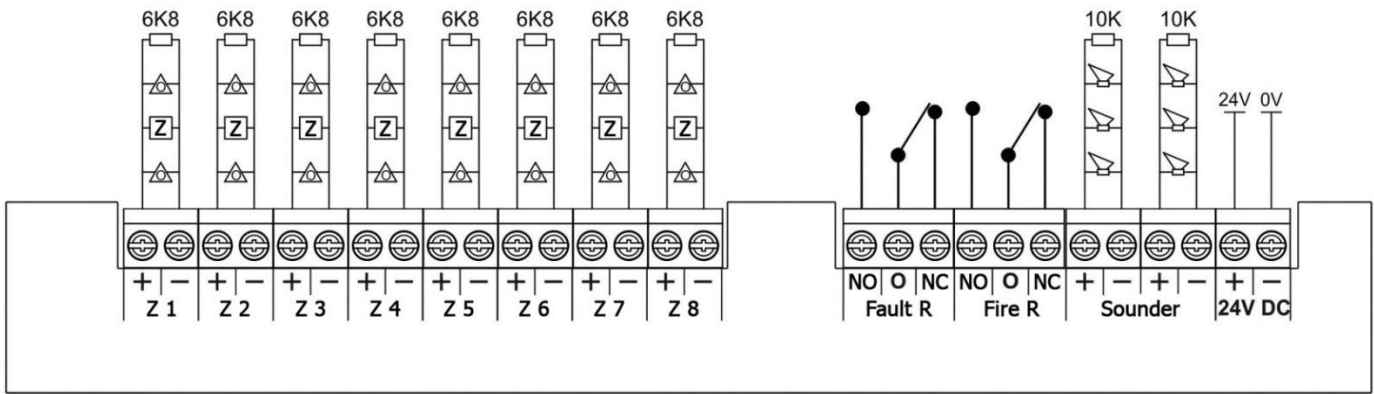
TECHNICAL SPECIFICATION

Supply Voltage	230V AC 50 Hz (2A glass fuse protected)
Accumulator	2 x (12V 7Ah)
Zone Capacity	2, 4, 8, 16
Zone Output Voltage	24V DC
Zone end of line resistance	6K8
Weight	~ 4,4 kg
Construction	Panel Box; 1,2mm DKP sheet, Front panel; 1,5mm DKP sheet
Surface	Epoxy paint
Mounting	Surface mounting
External Supply Output	24V DC 500 mA
Fault Relay Output	30V DC 1A dry contact
Fire Relay Output	30V DC 1A dry contact
Sounder Output Voltage	24V DC 500 mA
Sounder end of line resistance	10K
Operating Temperature	(-5°C) - (+40°C)
Relative Humidity	% 0-95 (non-condensing)
Dimensions	300 x 400 x 100 mm
Standard Colour	Gray metal box, White front face

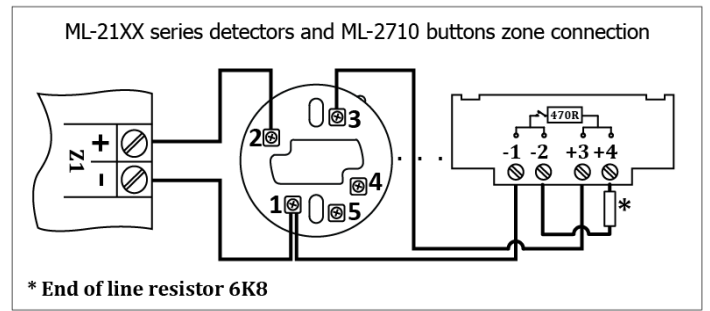
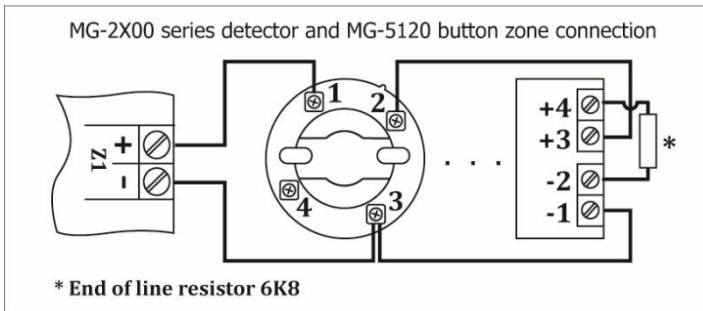
MODELS

Code	Description
ML-22102	Maxlogic Conventional Fire Alarm Panel, 2 Zone
ML-22104	Maxlogic Conventional Fire Alarm Panel, 4 Zone
ML-22108	Maxlogic Conventional Fire Alarm Panel, 8 Zone
ML-22116	Maxlogic Conventional Fire Alarm Panel, 16 Zone

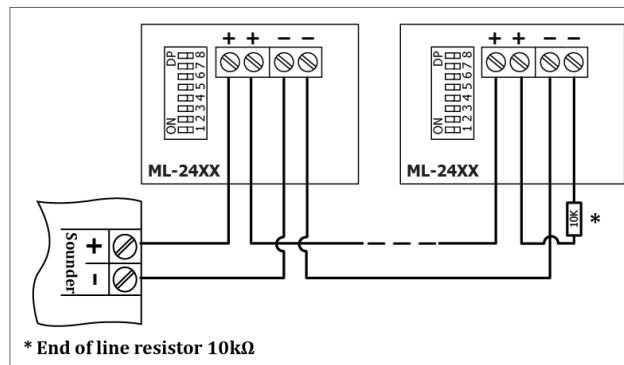
CONNECTION DIAGRAM



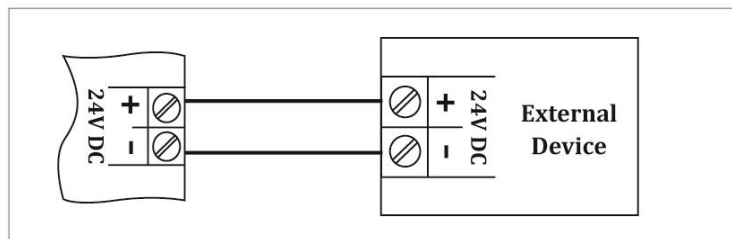
ZONE CONNECTION



SOUNDER CONNECTION



24V DC CONNECTION



RELAY CONNECTION

